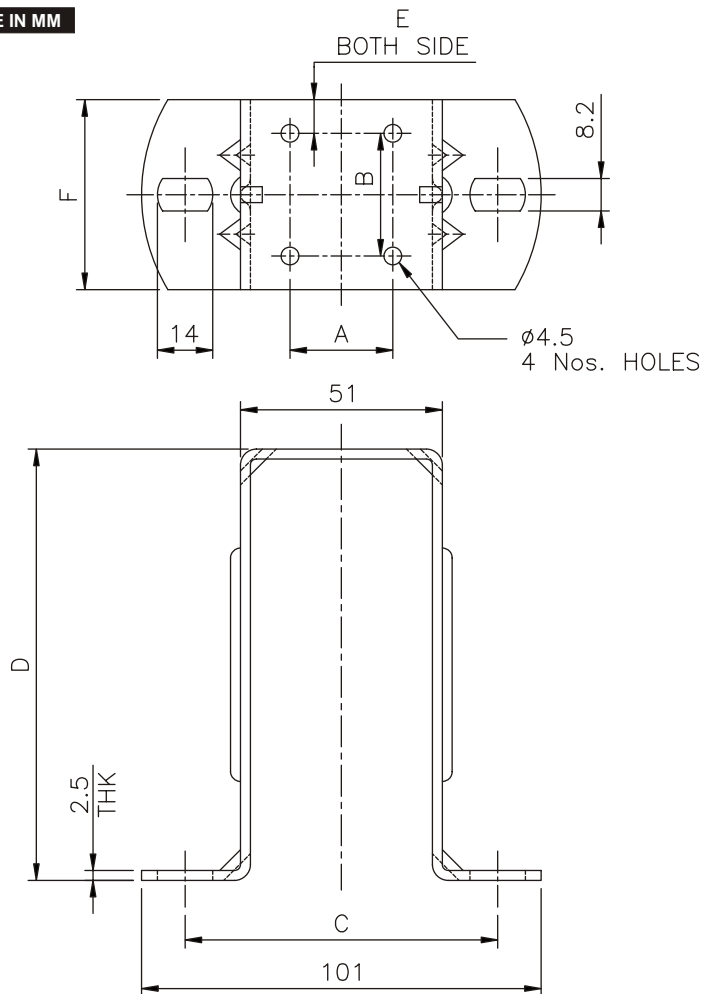




Mounting Stand - 4 Legs

METAL STAND	SUITABLE	ALUMINUM IMPELLOR	DIMENSION					
PART NO.	MODEL	Ø (mm)	A	B	C	D	E	F
MS 005	8330 - 18 A 2	230 & 254	26	21	79	109	9.5	40
MS 006	8340 - 25 A 2	254 & 300	26	31	79	109	8.5	48
MS 009	8345 - 34 A 2	Ø 300	26	36	79	109	6	48

*** ALL DIMENSIONS ARE IN MM**



* Specifications Subject to Change Without Notice